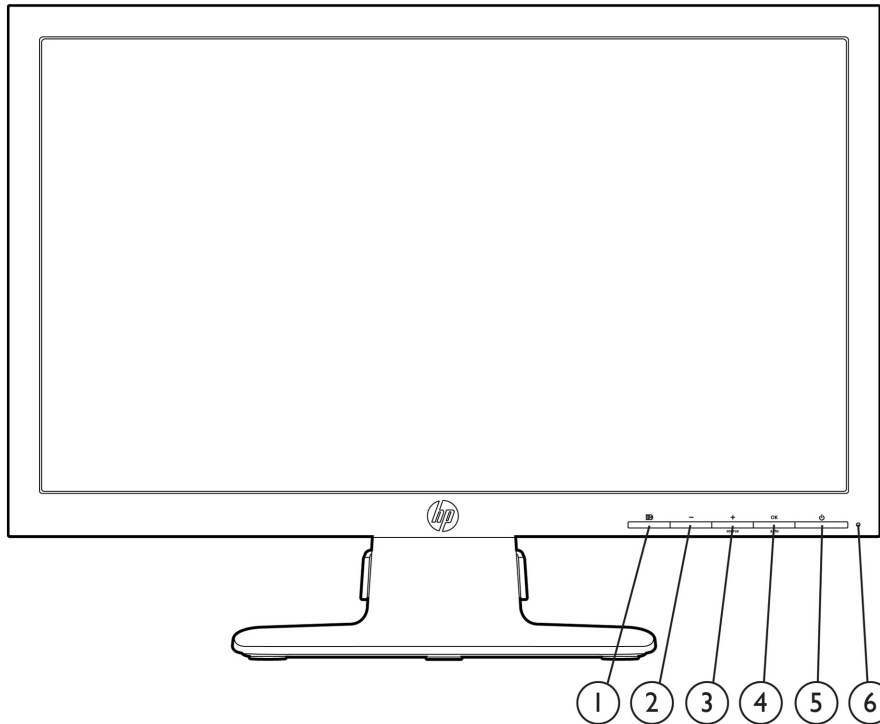


Overview - HP Compaq LE2002xi 20-inch LCD Monitor



NOTE: Shown with fixed stand (not included). Comes with IWC stand (not shown).

- | | | | |
|-----------------------|--|---------------------|---|
| 1. Menu | Opens, selects or exits the OSD menu. | 4. OK/auto | If the OSD menu is on, press to select the highlighted menu item.
If the OSD menu is inactive, press to activate the auto adjustment feature to optimize the screen image. |
| 2. Minus | If the OSD menu is on, press to navigate backward through the OSD menu and decrease adjustment levels. | 5. Power | Turns the monitor on or off. |
| 3. Plus/source | If the OSD menu is on, press to navigate forward through the OSD menu and increase adjustment levels. If the OSD menu is inactive, press to activate the source button that chooses the video signal input (VGA or DVI). | 6. Power LED | Blue = Fully powered.
Amber = Sleep mode.
Flashing Amber = Sleep Timer mode. |

Model

QC841AA

Overview - HP Compaq LE2002xi 20-inch LCD Monitor

Introduction

The HP Compaq LE2002xi 20-inch LCD Monitor with IWC Stand allows you to easily attach an HP Compaq Ultra-slim Desktop PC or HP Thin Client¹ onto the back of the monitor stand for the convenience of an "all-in-one" form factor.

Key features and benefits

- Integrates your HP Compaq Ultra-slim Desktop PC or HP Thin Client¹ and an HP Compaq LE2002xi 20-inch LCD Monitor with IWC Stand, allowing you to conveniently put the entire compact system configuration at your fingertips, saving valuable desktop space and making the most efficient use of space-constrained office environments
- Cable management solution keeps the PC and monitor cables together and hidden from view
- Vertical height adjustment allows the monitor to be adjusted for maximum user comfort
- Entire unit swivels left to right with the touch of a finger which allows easy adjustability to accommodate multiple viewers

¹ With the exception of HP gt7720 and HP gt7225 Thin Clients.

Technical Specifications - HP Compaq LE2002xi 20-inch LCD Monitor

Panel	Type	TN (Twisted Nematic) LED Backlit LCD
	Viewable Image Area (diagonal)	50,8 cm (20 in.) widescreen; diagonally measured
	Screen Opening (W x H)	44,28 x 24,91 cm (17.43 x 9.81 in.)
	Aspect Ratio	16:9
	Viewing Angle (typical)	Up to 170° horizontal/160° vertical (10:1 minimum contrast ratio)
	Brightness (typical)*	250 nits (cd/m ²)
	Contrast Ratio (typical)*	1000:1
	Dynamic Contrast Ratio (typical)*	3,000,000:1
	Response Time (typical)*	5 ms (on/off)
	Pixel Pitch	0.2768 mm
	Backlight Lamp Life (to half brightness)	30,000 hours (min)
	Color Gamut (typical)	72%
	Color Support**	Can display up to 16.7 million colors
<p>*All performance specifications represent the typical specifications provided by HP's component manufacturers; actual performance may vary either higher or lower.</p> <p>** With the use of FRC technology.</p>		
On Screen Display (OSD) Controls	Buttons or Switches	Menu, Minus ("-"), Plus/Source ("+"), "OK/Auto" and Power
	Languages	German, Simplified Chinese, Traditional Chinese, Japanese, English, Spanish, French, Italian, Netherlands, Portuguese
	User Controls	Brightness, Contrast, Color(Standard/Warm/Cool/Custom), Image Control(Clock/Clock Phase/Horizontal Position/Vertical Position/Custom Scaling/Sharpness/Dynamic Contrast Ratio),OSD Control(Horizontal OSD Position/Vertical OSD Position/OSD Transparency/OSD Timeout), monitor Management, Language, Information, Factory Reset, Source Control
Signal Interface/ Performance	Horizontal Frequency	24 to 83 kHz
	Vertical Frequency	50 to 76 Hz
	Native Resolution	1600 x 900 @ 60 Hz
	Preset VESA Graphic Modes (non-interlaced)	640 x 480 @ 60 Hz
		720 x 400 @ 70 Hz
		800 x 600 @ 60 Hz
		1024 x 768 @ 60 Hz
		1280 x 720 @ 60 Hz
		1280 x 1024 @ 60 Hz
1440 x 900 @ 60 Hz		
1600 x 900 @ 60Hz		
Text Mode	720 x 400 @ 70 Hz	

Technical Specifications - HP Compaq LE2002xi 20-inch LCD Monitor

	Maximum Pixel Clock Speed	170 MHz		
	User Programmable Modes	Yes (10 user modes)		
	Anti-Glare	Yes		
	Default Color Temperature	6500 K		
Video/Other Inputs	Plug and Play	Yes		
	Input Connectors	VGA (analog), DVI-D w/ HDCP		
	Input Impedance	75 Ohms		
	Sync Input	TTL separate synch		
	Video Cable	One 15-pin D-sub (VGA)		
	Video Cable Lengths	70 cm (27.56 in.)		
	Audio	No		
	Audio Cable Length	N/A		
	Power	Power Supply	Internal power adapter	
		Input Power	100 -240 VAC, 50 or 60 Hz	
Typical Power Consumption		22 W		
Maximum		26 W		
Power Saving		< 0.5 W		
Power Cable Length		1,9 m (6.2 ft.)		
Mechanical	Dimensions (W x D x H)	Unpacked w/stand	48,20 x 25,03 x 36,18 to 48,63 cm (18.98 x 9.85 x 14.24 to 19.14 in.)	
		Unpacked w/o stand (head only)	48,20 x 4,75 x 29,41 cm (18.98 x 1.87 x 11.58 in.)	
		Packaged	55,2 x 12,8 x 42,2 cm (21.73 x 5.04 x 16.61 in.)	
		Base area (footprint)	23,63 x 15,11 cm (9.30 x 5.95 in.)	
	Weight	Head Only	2,7 kg (5.95 lb.)	
		Unpacked	5,8 kg (12.76 lb.)	
		Packaged	8,5 kg (18.7 lb.)	
		Tilt Range	-3 to +20 degrees	
		Swivel Range	360°	
		Height Adjustable	Yes	
	Pivot Rotation	No		
	Base	Attachable, ships detached		
Environmental	Temperature - Operating	5° to 35° C (41° to 95° F)		
	Temperature - Non-operating	-20° to 60° C (-4° to 140° F)		

Technical Specifications - HP Compaq LE2002xi 20-inch LCD Monitor

Humidity - Operating	20% to 80% non-condensing
Humidity - Non-operating	5% to 95%, 38.7° C max wet-bulb
Altitude - Operating	0 to 5,000 m (16,404 ft)
Altitude - Non-operating	0 to 12,192 m (0 to 40,000 ft)
White LED Backlights	Yes
CCFL Panel	No
Arsenic-Free Display Glass	Yes
Low Halogen²	Yes (everything except external cables)
Mercury-Free Display Backlighting	Yes

Environmental Data

Eco-Label Certifications & declarations This product has received or is in the process of being certified to the following approvals and may be labeled with one or more of these marks:

- IT ECO declaration

Energy Consumption	115VAC, 60Hz	230VAC, 50Hz	100VAC, 60Hz
Normal Operation	18.5 W	18.5 W	18.6 W
Sleep	0.2 W	0.2 W	0.2 W
Off	0.1 W	0.1 W	0.1 W

Heat Dissipation*	115VAC, 60Hz	230VAC, 50Hz	100VAC, 60Hz
Normal Operation	63.27 BTU/hr	63.27 BTU/hr	64 BTU/hr
Sleep	0.6 BTU/hr	0.6 BTU/hr	0.6 BTU/hr
Off	0.34 BTU/hr	0.34 BTU/hr	0.34 BTU/hr

* Heat dissipation is calculated based on the measured watts, assuming the service level is attained for one hour.

Additional Information

- This product is in compliance with the Restrictions of Hazardous Substances (RoHS) directive - 2002/95/EC.
- This HP product is designed to comply with the Waste Electrical and Electronic Equipment (WEEE) Directive - 2002/96/EC.
- This product is in compliance with California Proposition 65 (State of California; Safe Drinking Water and Toxic Enforcement Act of 1986).
- Plastics parts weighing over 25 grams used in the product are marked per ISO 11469 and ISO1043.
- This product contains 0% post-consumer recycled plastic (by wt.)
- This product is 97.8% recycle-able when properly disposed of at end of life.

Packaging Materials	External:	Corrugated carton	1200 gm
	Internal:	Polyethylene low density	35 gm
		Polystyrene foam	500 gm

RoHS Compliance Hewlett-Packard is committed to compliance with all applicable environmental laws and regulations, including the European Union Restriction of Hazardous Substances (RoHS) Directive. HP's goal is to exceed compliance obligations by meeting the requirements of the RoHS Directive on a worldwide basis. By July

Technical Specifications - HP Compaq LE2002xi 20-inch LCD Monitor

Material Usage

1, 2006, RoHS substances will be virtually eliminated (virtually = to levels below legal limits) for all HP electronic products subject to the RoHS Directive, except where it is widely recognized that there is no technically feasible alternative (as indicated by an exemption under the EU RoHS Directive).

This product does not contain any of the following substances in excess of regulatory limits (refer to the HP General Specification for the Environment at: http://www.hp.com/hpinfo/globalcitizenship/environment/supplychain/gen_specifications.html):

- Asbestos
- Certain Azo Colorants
- Certain Brominated Flame Retardants - may not be used as flame retardants in plastics
- Cadmium
- Chlorinated Hydrocarbons
- Chlorinated Paraffins
- Formaldehyde
- Halogenated Diphenyl Methanes
- Lead carbonates and sulfates
- Lead and Lead compounds
- Mercuric Oxide Batteries
- Nickel - finishes must not be used on the external surface designed to be frequently handled or carried by the user.
- Ozone Depleting Substances
- Polybrominated Biphenyls (PBBs)
- Polybrominated Biphenyl Ethers (PBBEs)
- Polybrominated Biphenyl Oxides (PBBOs)
- Polychlorinated Biphenyl (PCB)
- Polychlorinated Terphenyls (PCT)
- Polyvinyl Chloride (PVC) - except for wires and cables, and certain retail packaging has been voluntarily removed from most applications.
- Radioactive Substances
- Tributyl Tin (TBT), Triphenyl Tin (TPT), Tributyl Tin Oxide (TBTO)

Packaging

HP follows these guidelines to decrease the environmental impact of product packaging:

- Eliminate the use of heavy metals such as lead, chromium, mercury and cadmium in packaging materials.
- Eliminate the use of ozone-depleting substances (ODS) in packaging materials.
- Design packaging materials for ease of disassembly.
- Maximize the use of post-consumer recycled content materials in packaging materials.
- Use readily recyclable packaging materials such as paper and corrugated materials.
- Reduce size and weight of packages to improve transportation fuel efficiency.
- Plastic packaging materials are marked according to ISO 11469 and DIN 6120 standards.

End-of-life Management Hewlett-Packard offers end-of-life HP product return and recycling programs

Technical Specifications - HP Compaq LE2002xi 20-inch LCD Monitor

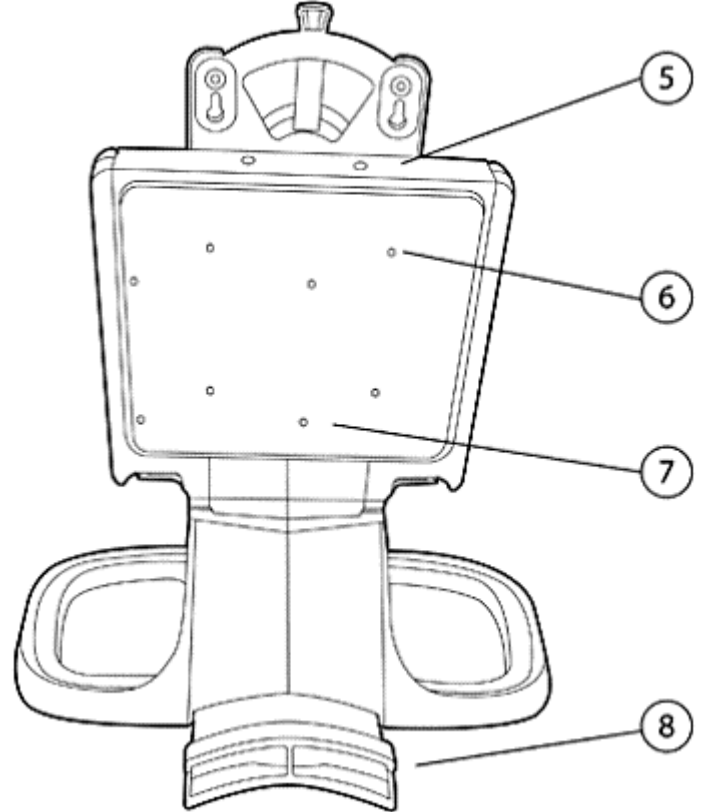
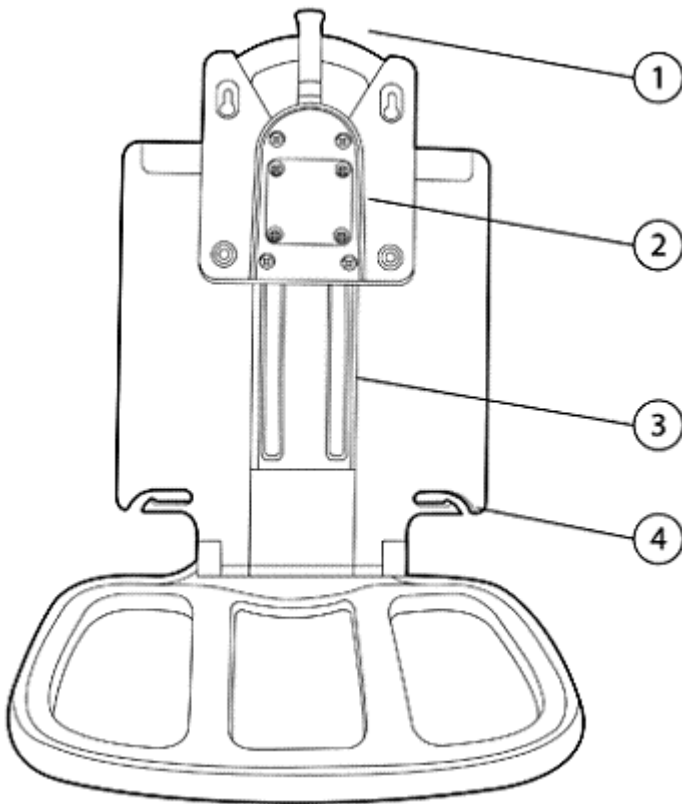
	and Recycling	in many geographic areas. To recycle your product, please go to: http://www.hp.com/go/reuse-recycle or contact your nearest HP sales office. Products returned to HP will be recycled, recovered or disposed of in a responsible manner.
		The EU WEEE directive (2002/95/EC) requires manufacturers to provide treatment information for each product type for use by treatment facilities. This information (product disassembly instructions) is posted on the Hewlett Packard web site at: http://www.hp.com/go/recyclers . These instructions may be used by recyclers and other WEEE treatment facilities as well as HP OEM customers who integrate and re-sell HP equipment.
	Hewlett-Packard Corporate Environmental Information	For more information about HP's commitment to the environment: Global Citizenship Report http://www.hp.com/hpinfo/globalcitizenship/gcreport/index.html Eco-label certifications http://www.hp.com/hpinfo/globalcitizenship/environment/productdesign/ecolabels.html ISO 14001 certificates: http://www.hp.com/hpinfo/globalcitizenship/environment/operations/envmanagement.html
Options (sold separately)	HP USB Graphics Adapter- Part number NL571AA	Enables connection of up to six simultaneous displays to help you boost productivity and multi-task across several open applications. Use one Adapter to bridge between a notebook or desktop PC and second monitor or use multiple Adapters to connect several displays to each other.
	HP Business PC Security Lock Kit-Part number PV606AA	Attaches to the rear of the PC with a six-foot steel cable that can be used to secure a PC or peripherals such as mice, keyboards, monitors or USB security devices to protect them against unauthorized removal by physically connecting the system to an anchor point.
	HP LCD Speaker Bar-Part number NQ576AA	Powered directly by the connected PC, the Speaker Bar seamlessly attaches to the monitor's lower bezel to bring full audio support to select HP flat panel monitors. Features include dual speakers with full sound range and dual external headphone jacks. Sold separately. For more information, refer to the product's QuickSpecs.
Other	Accessories Included	VGA cable and AC Power cable
	Software	Yes - HP Display Assistant
	User Guide Languages	English, French, Spanish (Int'l), Brazilian Portuguese, Danish, Dutch, Finnish, French, German, Italian, Norwegian, Spanish, Swedish, Czech, Hungarian, Polish, Russian, Greek, Slovenian, Turkish, Arabic, Bahasa Indonesian, S. Chinese, T. Chinese, Korean and Japanese.
	Warranty Languages	English, LA Spanish, Brazilian Portuguese, German, French, Italian, Turkish, Greek, Arabic, Russian, Hungarian, Czech, Polish, Japanese, Dutch, Danish, Finnish, Norwegian, Swedish, S. Chinese, T. Chinese, Korean, Slovenian, Bahasa Indonesia, Serbian
	Color	Black
	VESA External Mounting	Yes (one set of standard 4-hole pattern, 100 mm).
	Security Lock-Ready	Yes

Technical Specifications - HP Compaq LE2002xi 20-inch LCD Monitor

Certification and Compliance	TCO 5.0, VCCI, KC, CECP, FCC, CE, BSMI, ISC, C-Tick, Gost, E-Standy, RoHS, WEEE, ETL, CCC, NOM, KCC, BSMI, TUV, Microsoft WHQL, China Energy Label Grade 1
Compatibility	Compatible with platforms using the VESA standard video modes. Recommended for use with HP products.
Service and Warranty	Protected by HP, including a 3 year standard limited warranty. Optional Care Pack Services are extended service contracts which go beyond your standard warranties. ¹

Overview - HP Integrated Work Center Stand – USDT / Thin Clients

HP Integrated Work Center Stand - USDT / Thin Clients



1. HP Quick Release mounting latch
2. Integrated HP Quick Release
3. Height-adjustable monitor mount
4. Integrated cable management slot

5. Mounting bracket security thumb-screw
6. USDT PC and Thin Client mounting bracket
7. Rear cable management clips
8. Spring-loaded power supply tray

Model

Part Number: LH526AA

Overview - HP Integrated Work Center Stand – USDT / Thin Clients

Introduction

The HP Integrated Work Center Stand is designed to help maximize the use of limited desk space without compromising performance or productivity by accommodating an HP Compaq 6005 Pro, or 8000 Series Elite HP Ultra-slim Desktop PC or an HP Thin Client¹ and most HP 17 to 24-inch*,² diagonal LCD monitors (please refer to compatibility list below) with VESA standard mounting brackets.

Simply mount the USDT or Thin Client on to the back plate with four simple screws, and then attach the monitor to the front of the stand with the included HP Quick Release. Next, neatly route the cords into the cable management clip and insert the power supply into the secure spring-loaded drawer to enable the monitor and PC to be combined into a complete system, creating a convenient "all-in-one" form factor.

* Not all 24-inch monitors supported, please refer to compatibility list below

Key features and benefits

- Integrates your HP Compaq 6005 Pro, or 8000 Series Elite HP Ultra-slim Desktop PC or an HP Thin Client¹ and most HP 17 to 24-inch*,² diagonal LCD monitors, allowing you to conveniently put the entire compact system configuration at your fingertips, saving valuable desktop space and making the most efficient use of space-constrained office environments
- Cable management clips help keep cables neatly dressed and concealed behind the stand
- Industry-standard VESA mounting holes enable high or low positioning of the USDT or Thin Client
- An adjustable stand with tilt, height and swivel lets you change positions throughout the day, helping you stay comfortable and productive
- Built-in HP Quick Release enables easy installation and removal of monitor
- Spring loaded retention drawer securely holds power supplies of many sizes
- Cable pass-through design simplifies cable routing and enables a clutter free workspace

* Not all 24-inch monitors supported, please refer to compatibility list below

Compatibility

The Integrated Work Center Stand USDT / Thin Clients is designed to exclusively accommodate the HP Compaq 6005 Pro, or 8000 Series Elite Ultra-slim Desktop PC or HP Thin Client¹ and the HP LCD monitors shown below (each sold separately).

<u>Monitor</u>	<u>Monitor Part Number(s)</u>	<u>Monitor</u>	<u>Monitor Part Number(s)</u>
ESSENTIAL SERIES		ADVANTAGE SERIES	
LE1711	EM886AA	LA1751g	EM889AA (available in select regions)
LE1851w	NK022AA	LA1905wg	NM360AA, NM360A2 (TAA compliant/US only)
LE1851wl	XL867AA (available in select regions)	LA1951g	EM890AA, EM890A2 (TAA compliant/US only)
LE19f	VV081AA	LA1951gl	XL875AA (available in select regions)
LE1901w	NK570AA	LA2006x	XN374AA
LE1901wl	XL877AA (available in select regions)	LA22f	VU893AA
LE1901wm	NP446A	LA2205wg	NM274AA, NM274A2 (TAA compliant/US only)
LE1911	EM887AA	LA2206x	XN376AA
LE2001w	NK128AA	LA2306x	XN375AA

Overview - HP Integrated Work Center Stand – USDT / Thin Clients

LE2001wl	XL866AA (available in select regions)	LA2405wg	NL773AA (Product must be used in conjunction with a USDT or Thin Client to be supported.)
LE2001wm	VN692AA (available in select regions)	PERFORMANCE SERIES	
LE2201w	NK571AA	ZR22w	VM626A4
TOUCH SERIES			
L2105tm	EM891AA		

Technical Specifications - HP Integrated Work Center Stand – USDT / Thin Clients

Mechanical	Tilt range	-3 to +20 degrees vertical tilt
	Swivel range	-180° to + 180°
	Height adjustable	Yes, range: 13,5 cm (5.3 in)
	Pivot rotation	No
	Dimensions (H x W x D)	Unpackaged 36,19 x 37,35 x 25,05 cm (14.25 x 14.7 x 9.93 in)
		Packaged 32,0 x 49,0 x 43,8 cm (12.6 x 19.3 x 17.2 in)
		Weight Unpackaged 3,1 kg (6.8 lbs) Packaged 4,9 kg (10.8 lbs)
Supported weight capacity²	The Integrated Work Center Stand has been designed to support 17 to 24-inch diagonal HP LCD monitors from 3,4 kg to 4,8 kg (7.5 lbs to 10.5 lbs).	
Other	Accessories included	Exclusive Integrated Work Center VGA video cable, HP Compaq Ultra-slim Desktop cable cover (rear port cover), PC mounting bracket, HP Quick Release, documentation kit.
	Quick Start Guide languages	English, Spanish, Dutch, French, German, Italian, S. Chinese and Japanese
	Warranty languages	English, French, German, Italian, Spanish, Japanese, T. Chinese, S. Chinese, Korean, Indonesian, Brazilian Portuguese and LA Spanish
	Color	Black/Silver
	VESA external mounting	Yes (Standard 4 hole pattern, two separate 100 mm patterns on the mounting bracket)
	Option kit contents	Integrated Work Center Stand and PC mounting bracket, Integrated Work Center VGA video cable, HP Compaq Ultra-slim Desktop cable cover (rear port cover), Quick Release bracket (to attach to back of monitor)
Limited Warranty	The Integrated Work Center Stand carries a one-year limited warranty. Technical support is available seven days a week, 24 hours a day, by phone, as well as online support forums. Certain restrictions and exclusions apply.	

NOTES:

¹ With the exception of HP gt7720 and HP gt7225 Thin Clients.

² HP monitors weighing 3,4 kg to 4,8 kg (7.5 lbs to 10.5 lbs).

Technical Specifications - HP Integrated Work Center Stand – USDT / Thin Clients

© Copyright 2013 Hewlett-Packard Development Company, L.P.

¹HP Care Pack Services extend service contracts beyond the standard warranties. Service levels and response times for HP Care Packs may vary depending on your geographic location. Service starts from date of hardware purchase. To choose the right level of service for your HP product, use the HP Care Pack Services Lookup Tool at <http://www.hp.com/go/lookuptool>. Additional HP Care Pack Services information by product is available at <http://www.hp.com/hps/carepack>.

² External power supplies, power cords, cables and peripherals are not Low Halogen. Service parts obtained after purchase may not be Low Halogen.

All specifications represent the typical specifications provided by HP's component manufacturers; actual performance may vary either higher or lower. The only warranties for HP products and services are set forth in the express warranty statements accompanying such products and services. Nothing herein should be construed as constituting an additional warranty. HP shall not be liable for technical or editorial errors or omissions contained herein.