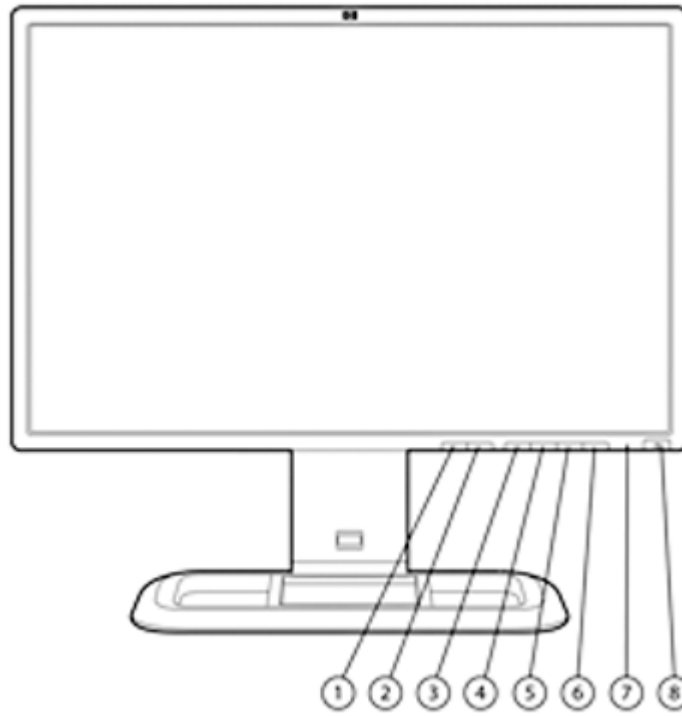


Overview



1. Input/Scan: Scans all video inputs for valid signals.
2. Input/Quick Select: Displays valid video input signals for quick selection.
3. Menu: Opens, selects or exits the OSD menu.
4. Minus (-)/Auto: Navigates backward through the OSD menu and decreases adjustment levels; when the OSD menu is inactive, activates the auto adjustment feature to optimize the screen image.
5. Plus (+)/Reset: Navigates forward through the OSD menu and increases adjustment levels; when the OSD menu is inactive, resets the monitor settings to factory default settings.
6. Turns Picture-In-Picture or Picture-Outside-Picture on or off. **NOTE:** The PIP/POP feature must be initially set up using the OSD menu. Select Video Input Control from the OSD menu to make your PIP/POP, input source, window size and screen position selections.
7. Power LED: Green = Fully powered.
Amber = Sleep mode.
Flashing Amber = Sleep Timer mode.
8. Power: Turns the monitor on or off

Model

KD911A4



Technical Specifications

Panel	Type	24-inch (61-cm) Wide-Aspect Active Matrix TFT (thin film transistor)
	Viewable Image Area	24 in (61 cm) widescreen; diagonally measured
	Screen Opening (W x H)	20.49 x 12.83 in (52.04 x 32.6 cm)
	Panel Type	IPS
	Aspect Ratio	16:10
	Viewing Angle (typical)	Up to 178° horizontal/178° vertical (10:1 minimum contrast ratio)
	Brightness (typical)*	400 nits (cd/m ²)
	Contrast Ratio (typical)*	1000:1
	Response Time (typical)*	5 ms (gray to gray); 12 ms (on/off)
	Pixel Pitch	0.270 mm
	Backlight Lamp Life (to half brightness)	40K hours
Color Gamut	102% of NTSC	
<i>*All performance specifications represent the typical specifications provided by HP's component manufacturers; actual performance may vary either higher or lower.</i>		
On Screen Display (OSD) Controls	Buttons or Switches	Input Scan, Input QuickSelect, Menu, OSD down (auto adjust), OSD up (reset), PiP/Pop, Power
	Languages	English, French, German, Spanish, Italian, Dutch, Japanese, S. Chinese Brazilian Portuguese
	User Controls	Brightness, contrast, positioning, color temperature (6500k, 9300k, custom), individual color control, serial number, display, clock, clock phase, monitor management, factory reset
Signal Interface/ Performance	Horizontal Frequency	30 to 94 kHz
	Vertical Frequency	48 to 85 Hz
	Native Resolution	1920 x 1200 @ 60 Hz (WUXGA), 1.76 million pixels
	Preset VESA Graphic Modes (non-interlaced)	1920 x 1080 @ 60 Hz
		1680 x 1050 @ 60 Hz
		1600 x 1200 @ 60 Hz
		1600 x 1000 @ 60 Hz
		1280 x 1024 @ 60 Hz, 75 Hz, and 85 Hz
		1280 x 960 @ 60 Hz
		1280 x 768 @ 60 Hz
		1152 x 900 @ 65 Hz
		1024 x 768 @ 60 Hz, 75 Hz, and 85 Hz
		800 x 600 @ 60 Hz and 75 Hz
640 x 480 @ 60 Hz and 75 Hz		
Text Mode	720 x 400 @ 70 Hz	
Mac Mode	1152 x 870 @ 75 Hz and 832 x 624 @ 75 Hz	
Sun Mode	1152 x 900 @ 66 Hz	
Maximum Pixel Clock Speed	205 MHz	



Technical Specifications

	User Programmable Modes	Yes, 20	
	Anti-Glare	Yes	
	Anti-Static	Yes	
	Default Color Temperature	6500 K	
Video/Other Connectors	Plug and Play	Yes	
	Self Powered USB 2.0 Hub	One upstream, six downstream ports (cable included)	
	USB Cable Length	6.6 ft (2.0 m)	
	Input Connectors	(2) DVI-I, (1) HDMI, and (1) DisplayPort with HDCP support, (1) Component Video, (1) S-Video, and (1) Composite Video	
	Audio output	1 (SPDIF) audio output; passes through the audio from the HDMI input	
	Input Impedance	75 ohms \pm 10%	
	Sync Input	Separate sync (HSYNC/VSYNC); composite sync, Sync on Green	
	HDMI Cable	15 pin D-sub VGA; HDMI to VGA, used for VGA input	
	HDMI Cable Length	5.9 ft (1.8 m)	
	DVI-I to VGA Video Cable Length	5.9 ft (1.8 m)	
	DVI-D to DVI-D Video Cable Length	5.9 ft (1.8 m)	
	Display Port Video Cable Length	6.6 ft (2.0 m)	
	Power	Input Power	Auto-Sensing, 100 to 240 VAC, 50 +/-3 Hz to 60 +/-3 Hz
		Frequency	45-63 Hz
Typical Power Consumption		< 75 watts (without speaker/with 50% USB)	
Maximum		< 120 watts	
Power Saving		< 2 watts standby; < 1 watt off	
Power Cable Length		6.2 ft (1.9 m)	
Mechanical	Dimensions (H x W x D)	Unpacked w/stand	16.6 to 20.54 x 21.9 x 9.96 in (42.16 to 52.16 x 55.64 x 25.3 cm)
		Unpacked w/o stand (head only)	14.25 x 21.9 x 3.29 in (36.2 x 55.64 x 8.35 cm)
		Packaged	13.86 x 26.5 x 18.27 (35.2 x 67.2 x 46.4 cm)
	Weight	Unpacked w/stand	20.06 lb (9.1 kg)
		Unpacked w/o stand (head only)	13 lb (5.9 kg)
		Packaged	26.46 lb (12 kg)
	Tilt Range	-5° to + 30° vertical	
	Swivel Range	-45° to + 45°	
	Height Adjustable	Yes, range 3.94 in (10.0 cm)	
	Pivot Rotation	Yes	



Technical Specifications

Environmental	Base	Attachable, ships detached		
	Temperature – Operating	41° to 95° F (5° to 35° C)		
	Temperature – Non-operating	–29° to 140° F (–20° to 60° C)		
	Humidity – Operating	20% to 80% non-condensing		
	Humidity – Non-operating	5% to 95%, 38.7° C max wet-bulb		
	Altitude – Operating	+12,000 ft (3,658 m)		
	Altitude – Non-operating	+40,000 ft (12,192 m)		
Environmental Data	Eco-Label Certifications and Declarations	This product has received or is in the process of being certified to the following approvals and may be labeled with one or more of these marks: <ul style="list-style-type: none">● IT ECO declaration● TCO 03		
	Energy Consumption (in accordance with ENERGY STAR® test method)	AC Input Voltage at 100 VAC +/- 5 VAC, 50 Hz +/- 3 Hz	AC Input Voltage at 115 VAC +/- 5 VAC, 60 Hz +/- 3 Hz	AC Input Voltage at 230 VAC +/- 5 VAC, 50 Hz +/- 3 Hz
	Normal Operation	54.2 watts	54 watts	54.7 watts
	Sleep	1.26 watts	1.57 watts	1.24 watts
	Off	0.7 watts	0.91 watts	0.68 watts
	Heat Dissipation*	AC Input Voltage at 100 VAC +/- 5 VAC, 50 Hz +/- 3 Hz	AC Input Voltage at 115 VAC +/- 5 VAC, 60 Hz +/- 3 Hz	AC Input Voltage at 230 VAC +/- 5 VAC, 50 Hz +/- 3 Hz
	Normal Operation	185 BTU/hr	185 BTU/hr	187 BTU/hr
	Sleep	4 BTU/hr	5 BTU/hr	4 BTU/hr
	Off	2 BTU/hr	3 BTU/hr	2 BTU/hr
	* Heat dissipation is calculated based on the measured watts, assuming the service level is attained for one hour.			
	Longevity and Upgrading	Upgradeability features contained in the product include: One upstream and six downstream USB ports		
	Ergonomics	The monitor meets the ergonomic requirement of EN-ISO 13406-2 for flat panel displays.		
	Additional Information	This product is in compliance with the Restrictions of Hazardous Substances (RoHS) Directive, 2002/95/EC. This HP product is designed to comply with the Waste Electrical and Electronic Equipment (WEEE) Directive, 2002/96/EC. This product is in compliance with California Proposition 65 (State of California; Safe Drinking Water and Toxic Enforcement Act of 1986). Plastics parts weighing over 25 grams used in the product are marked per ISO 11469 and ISO1043. Display meets the requirement for low frequency electromagnetic fields per		



Technical Specifications

TCO and prEN50279 A/B/C.

This product contains 0% recycled materials (by wt.)

This product is 98.80% recyclable when properly disposed of at end of life.

Packaging Materials

- External/wood (pallet) – 5.73 lb (2.6 kg)
- Internal/paper (cardboard) – .088 lb (0.04 kg)

Material Usage

This product does not contain any of the following substances in excess of regulatory limits (refer to the HP General Specification for the Environment at www.hp.com/hpinfo/globalcitizenship/environment/supplychain/gen_specifications.html)

- Asbestos
- Certain Azo Colorants
- Certain Brominated Flame Retardants – may not be used as flame retardants in plastics
- Cadmium
- Chlorinated Hydrocarbons
- Chlorinated Paraffins
- Formaldehyde
- Halogenated Diphenyl Methanes
- Lead carbonates and sulfates
- Lead and Lead compounds
- Mercuric Oxide Batteries
- Nickel – finishes must not be used on the external surface designed to be frequently handled or carried by the user.
- Ozone Depleting Substances
- Polybrominated Biphenyls (PBBs)
- Polybrominated Biphenyl Ethers (PBBEs)
- Polybrominated Biphenyl Oxides (PBBOs)
- Polychlorinated Biphenyl (PCB)
- Polychlorinated Terphenyls (PCT)
- Polyvinyl Chloride (PVC) – except for wires and cables, and certain retail packaging has been voluntarily removed from most applications.
- Radioactive Substances
- Tributyl Tin (TBT), Triphenyl Tin (TPT), Tributyl Tin Oxide (TBTO)

Packaging

HP follows these guidelines to decrease the environmental impact of product packaging:

- Eliminate the use of heavy metals such as lead, chromium, mercury and cadmium in packaging materials.
- Eliminate the use of ozone-depleting substances (ODS) in packaging materials.
- Design packaging materials for ease of disassembly.
- Maximize the use of post-consumer recycled content materials in packaging materials.
- Use readily recyclable packaging materials such as paper and corrugated materials.
- Reduce size and weight of packages to improve transportation fuel



Technical Specifications

efficiency.

- Plastic packaging materials are marked according to ISO 11469 and DIN 6120 standards.

End-of-life Management and Recycling Hewlett-Packard offers end-of-life HP product return and recycling programs in many geographic areas. To recycle your product, please go to: www.hp.com/recycle or contact your nearest HP sales office. Products returned to HP will be recycled, recovered or disposed of in a responsible manner.

Hewlett-Packard Corporate Environmental Information For more information about HP's commitment to the environment: Global Citizenship Report www.hp.com/hpinfo/globalcitizenship/gcreport/index.html
Eco-label certifications www.hp.com/hpinfo/globalcitizenship/environmentproductdesign/ecolabels.html
ISO 14001 certificates: www.hp.com/hpinfo/globalcitizenship/environment/operations/envmanagement.html

Options

HP LCD Speaker Bar-Part number NQ576AA Powered directly by the monitor or the PC, the Speaker Bar seamlessly attaches to the monitor's lower bezel to bring full audio support to select HP LCD monitors. Features include dual speakers with full sound range and external jack for headphones. Sold separately. For more information, refer to the product's QuickSpecs.

HP USB Graphics Adapter-Part number NL571AA Enables connection of up to six simultaneous displays to help you boost productivity and multi-task across several open applications. Use one Adapter to bridge between a notebook or desktop PC and second monitor or use multiple Adapters to connect several displays to each other.

HP Business PC Security Lock Kit-Part number PV606AA Attaches to the rear of the PC with a six-foot steel cable that can be used to secure a PC or peripherals such as mice, keyboards, monitors or USB security devices to protect them against unauthorized removal by physically connecting the system to an anchor point.

HP Integrated Work Center for Small Form Factor-Part number QK549AT Allows mounting of a 17- to 24-inch (43.18 to 60.96 cm) diagonal HP LCD monitor with an HP Compaq Small Form Factor Desktop PC. This compact system configuration saves you valuable desktop room to make the most of a space-constrained office environment.

Other

Accessories Included DVI-I to VGA cable, DVI-D, HDMI, DisplayPort; USB cable, power cable
Software HP Display Assistant is a software utility that enables theft deterrence and allows monitor adjustment, color calibration, and security/asset management using the Display Data Channel Command Interface (DDC/CI) protocol of the connected PC.

HP Display LiteSaver allows you to schedule Sleep mode at preset times to help protect the monitor against image retention, drastically lower power consumption and energy costs, and extend the lifespan of the monitor.

Pivot Pro software from Portrait Displays, Inc. interacts with your PC's native graphics driver to enable seamless portrait screen redraws with a simple mouse-click or keyboard command. Pivot Pro supports 90-degree portrait and landscape views. Language support is available in English, Japanese, French, German, Spanish, Italian, and Traditional and Simplified Chinese.



Technical Specifications

User Guide Languages	English, B. Portuguese, French, LA Spanish, Korean, S. Chinese, T. Chinese, Bahasa, Japanese, Danish, Finnish, German, Norwegian, Spanish, Swedish, Greek, Polish, Russian, Slovenian, Turkish
Warranty Languages	English, Canadian French, LA Spanish, Brazilian Portuguese, Danish, German, Castilian Spanish, French, Italian, Dutch, Norwegian, Finnish, Swedish, Bahasa Indonesian, Korean, T. Chinese, S. Chinese
Color	All carbonite
VESA External Mounting	Yes, standard 4 hole pattern, 100 mm
Security Lock-Ready	Yes, one security slot available

Certification and Compliance

TCO 5.0 Displays, ISO 13406-2 VDT Guidelines Approval, CISPR Requirements, VCCI Approvals, MIC (Korean) Requirements, CSA, Australian ACA Approval, "GS" Mark, TUV Approvals, CE Marking, FCC Approval, Microsoft® Windows® Certification (Microsoft® Windows® 98, Microsoft Windows 2000, Microsoft Windows XP, and Windows Vista® Premium)



Compatibility

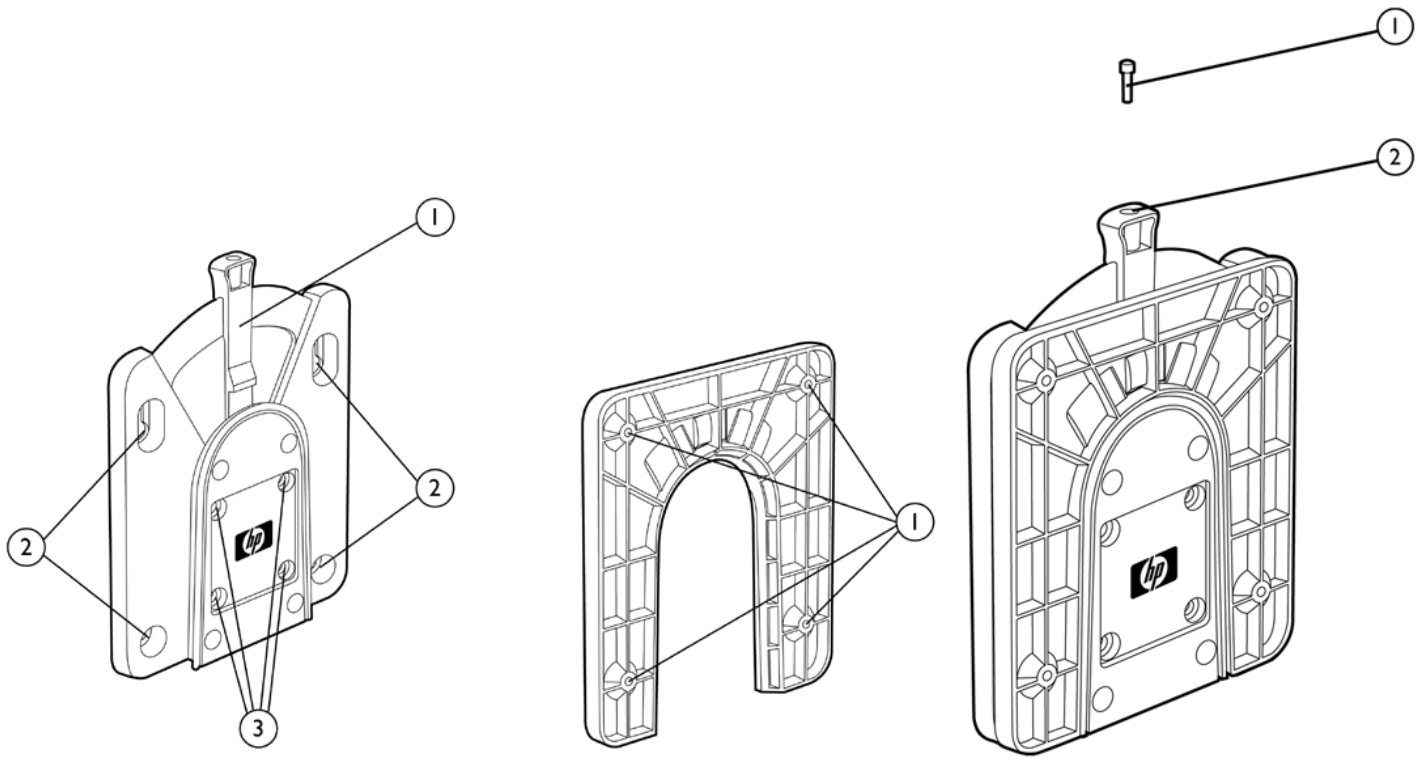
Compatible with platforms using the VESA standard video modes. Recommended for use with HP products.

Service and Warranty

Three years parts, labor, and on-site service. 24-hour, 90-day, toll-free technical support. Replacement options may include second business day on-site service, or next business day direct replacement, at HP's sole discretion*. With direct replacement, HP will ship a replacement display product directly to you. Using the prepaid shipping labels provided, return your failed display to HP in the same packaging as the replacement. Certain restrictions and exclusions apply. For details see your product warranty or contact HP Customer Support.

* Service levels and response times for HP Care Pack Services may vary depending on your geographic location. Service starts from date of hardware purchase. Restrictions and limitations apply. HP Care Pack Services extend service contracts beyond the standard warranties. To choose the right level of service for your HP product, use the HP Care Pack Services Lookup Tool at: <http://www.hp.com/go/lookuptool>. Additional HP Care Pack Services information by product is available at: <http://www.hp.com/hps/carepack>.

Overview - HP LCD Monitor Quick Release



1. Release/locking
2. Four 100 mm VESA mount screw holes
3. Mounting holes for attachment to back of monitor stands

1. Four 100 mm VESA mount screw holes

1. Locking pin screw
2. Locking pin hole on release/locking arm

Introduction

The HP Quick Release, which ships standard with the HP LP2275w 22-inch Widescreen LCD Monitor, is an easy to use, 100 mm VESA-compliant, flat panel monitor mounting solution that allows you to quickly and securely attach a flat panel monitor to a variety of stands, brackets, arms or wall mounts. HP Quick Release can also be used for mounting any combination of devices that are compatible with the 100 mm VESA Flat Display Mounting Interface Standard. The failsafe "Sure-Lock" mechanism snaps the monitor (or mounted device) securely in place, and can be further secured with a theft-deterrent security screw.

Uniquely flexible product configurations

HP Quick Release enables uniquely flexible product configuration alternatives in a variety of settings, such as:

- Storefronts/kiosks: Mount LCD monitors for easy viewing and add touchscreens for interactivity.
- Trade shows: Securely mount LCD TVs or monitors in common areas and quickly remove them for safekeeping at the end of the day.
- Front office environments: Minimize desk space requirements with wall or swing-arm mounting of monitors in reception areas.
- Training labs: Mount a monitor directly on a 100 mm VESA-compatible PC or an HP Thin Client for all-in-one convenience.
- Medical/institutional settings: Securely mount monitors in nursing stations and public areas.
- Conference rooms: Mount projectors (with 100 mm VESA-compliant pre-drilled holes) on ceilings, and monitors on walls or tables.



Technical Specifications - HP LCD Monitor Quick Release

Mechanical	Dimensions (H x W x D)	Packaged	7.8 x 6.25 x 1.5 in (19.8 x 15.9 x 3.8 cm)
		Unpackaged	6.3 x 5.2 x 0.65 in (16 x 13.2 x 1.65 cm)
	Weight	Packaged	1.1 lb (0.49 kg)
		Unpackaged	0.82 lb (0.37 kg)
Additional components	<ul style="list-style-type: none">• Eight 10 mm mounting screws (for attachment to VESA compliant monitor mounts)• Eight 15.5 mm mounting screws (for attachment to HP Thin Client products)• Four 20 mm mounting screws (for attachment to back of select HP flat panel monitor stands)• One Quick Release "locking" screw		
Color	Carbonite		
Notes	<ol style="list-style-type: none">1. No HP monitors allow positioning of a thin client product between a monitor screen and its stand.2. The Quick Release device is not to be used between a monitor screen and its stand unless provided that way from the factory.3. Under no circumstances is the Quick Release device intended to be used in an orientation where the Release/Lock lever is oriented downward.		
Supported weight capacity	The HP Quick Release has been designed to support a maximum of up to 24 lbs (10.9 kg) depending upon the mounting configuration used. Please note this is a total weight limit for all devices mounted, i.e. the combined weight of the monitor and a second device such as an HP Thin Client cannot exceed 24 pounds. Because mounting surfaces vary widely and the final mounting method and configuration may vary, mounting fasteners are not supplied (other than the VESA-compliant screws). HP recommends that you consult with a qualified engineering, architectural or construction professional to determine the appropriate type and quantity of mounting fasteners required for your application and to ensure that your mounting solution is properly installed to support applied loads.		

© Copyright 2011 Hewlett-Packard Development Company, L.P.

Microsoft, Windows, and Windows Vista are trademarks of the Microsoft group of companies. ENERGY STAR is a registered mark owned by the U.S. government.

The information contained herein is subject to change without notice. The only warranties for HP products and services are set forth in the express warranty statements accompanying such products and services. Nothing herein should be construed as constituting an additional warranty. HP shall not be liable for technical or editorial errors or omissions contained herein.

